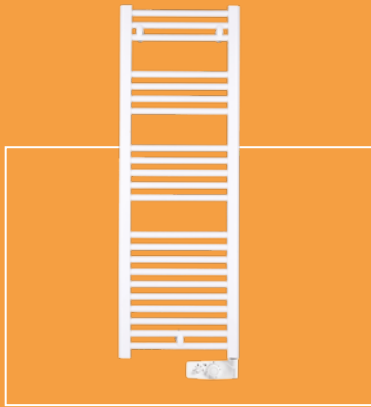


# 2012

SLIM TOWEL DRYER ADAPTED TO CONFINED SPACES



## + PRODUCT

### COMFORT

- Towel dryer with large rails for quick drying of towels and clothes
- Available models: Narrow and standard
- Heat-conducting fluid

### SAVINGS

- Digital thermostat
- 6-setting mode pilot wire: Comfort, Comfort -1°C, Comfort -2°C, Economy, Anti-frost, Stop

### USER-FRIENDLINESS

- Mode & temperature-setting control knobs
- Boost function

### DESIGN

- Elegant slim design adapted to narrow spaces
- Available widths: 400, 480, 500, 550 mm
- Colour: White (RAL 9016), Anthracite (RAL 7016) and Chrome

## TOWEL DRYER

300 TO 500 W  
(NARROW)

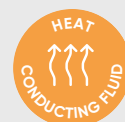
500 TO 1000 W  
(STANDARD)



Model available\*



Control knobs



Heating element type

\*Model types: A: Standard / B: Narrow / C: Standard with fan / D: Narrow with fan

2012

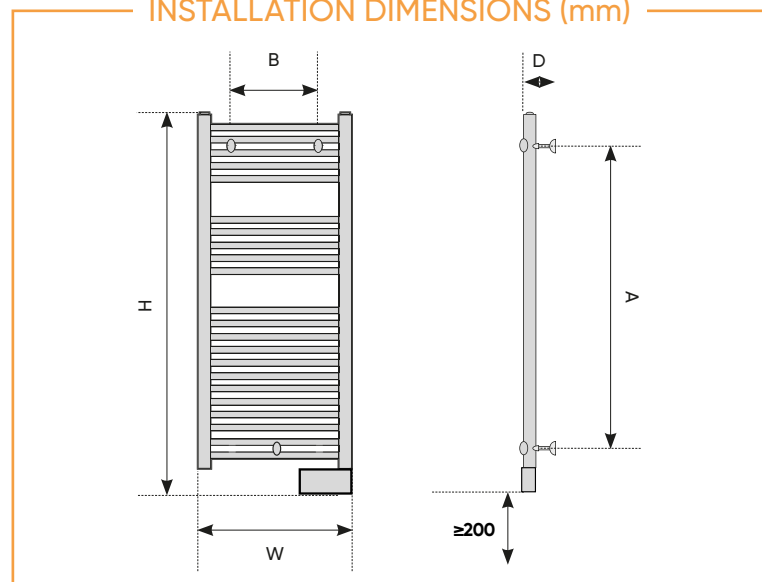


- 1 Towel rails
- 2 Overheating safety device
- 3 Heating element
- 4 Room temperature sensor
- 5 Mode & temperature-setting control knobs
- 6 Heat-conducting fluid
- 7 Vertical collectors



- 1 Heating light indicator
- 2 Booster light and locking info
- 3 Mode setting control knob
- 4 Temperature control knob

INSTALLATION DIMENSIONS (mm)



TECHNICAL DATA

OUTPUT (W)	DIMENSIONS (mm)					NET WEIGHT (kg)
	WIDTH (W)	HEIGHT (H)	DEPTH (D)	A	B	
<b>2012 narrow white</b>						
300	400	798	100	574	270	7
500	400	1248	100	1025	270	12
<b>2012 standard white</b>						
500	480	998	100	779	350	9
750	480	1453	100	1230	350	15
1000	550	1781	100	1599	400	20
<b>2012 standard chrome</b>						
300	500	920	100	697	370	11
500	480	1453	100	1230	350	15
<b>2012 narrow anthracite</b>						
300	400	798	100	574	270	7
500	400	1248	100	1025	270	12